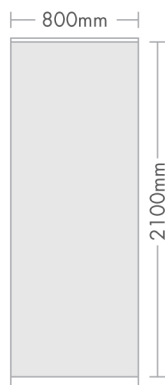


# EVENT PRO

The Event Pro banner stand encapsulates style, feature and versatility. Its flat anti-slip base design makes this roller a high end stand at a mid range price.

## Features and benefits

- Single sided 800mm width
- Slimline mechanical hanger
- Streamlined dynamic design
- Adjustable telescopic marked poles
- Patented mechanism allows graphic tension to be easily adjusted
- Visible graphic height maximum 2.1m



**2 YEAR WARRANTY**  
★★★★★



## Graphic specifications

Finished graphic panel size  
2300 x 800mm (includes 200mm bleed)

Visual graphic area  
2090 x 800mm

Top 10mm of graphic is hidden by the hanger

## System sizes

Boxed size  
900 (L) x 225 (W) x 105 (D)mm

Assembled size  
820 (W) x 180 (D) x 2175 (H)mm

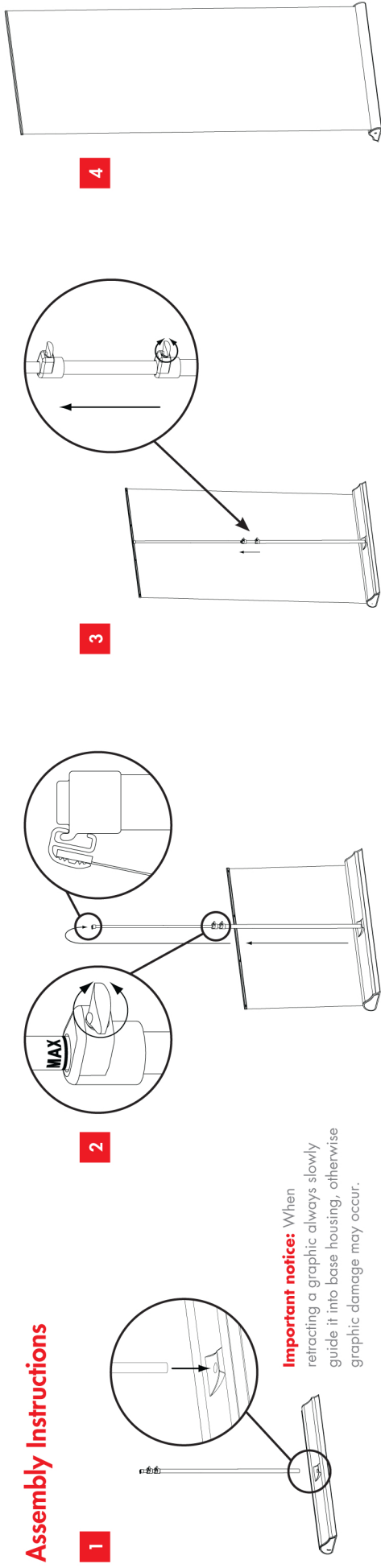
BOXED Weight  
4.5kg

## Component list

- Event Pro unit
- 3 part telescopic pole
- Graphic hanger including self adhesive
- Hanging strip
- Carry bag

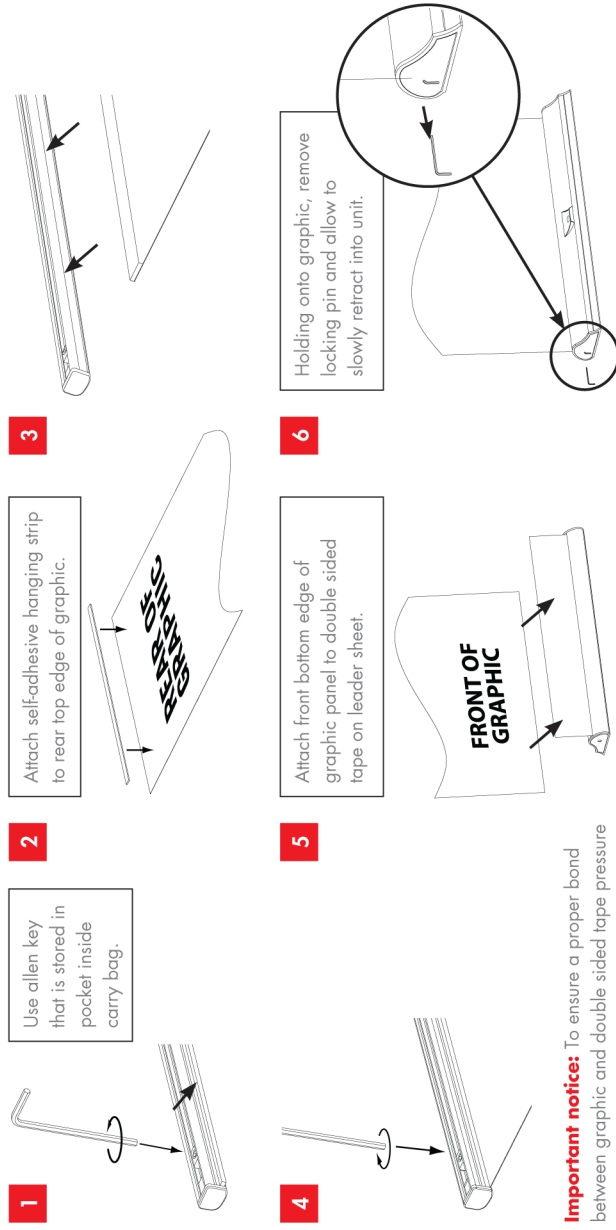
We are continually improving and modifying our product range and reserve the right to vary the specifications without prior notice. All dimensions and weights quoted are approximate and we accept no responsibility for variance. E&OE.

## Assembly Instructions



**Important notice:** When retracting a graphic always slowly guide it into base housing, otherwise graphic damage may occur.

## Graphic attachment



1 Use allen key that is stored in pocket inside carry bag.

2 Attach self-adhesive hanging strip to rear top edge of graphic.

5 Attach front bottom edge of graphic panel to double sided tape on leader sheet.

6 Holding onto graphic, remove locking pin and allow to slowly retract into unit.

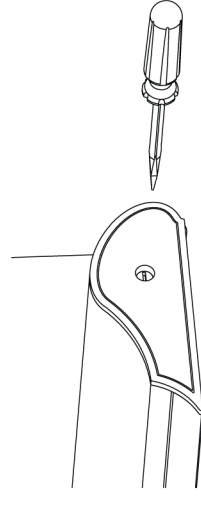
## Adding or removing graphic tension

### Adding tension

Insert a standard flat headed screwdriver into slot located in the end of unit and turn clockwise to add extra graphic tension.

### Removing tension

To un-tension graphic panel place a flat headed screwdriver into the slot and push to disengage ratchet. Hold in and turn anti-clockwise until tension in spring is released. To remove graphic panel carefully peel it off leader sheet. The graphic hanger can also be removed or a new hanger can be purchased.



**Important notice:** To ensure a proper bond between graphic and double sided tape pressure must be applied. The adhesive should be allowed to cure for 24 hours before tension is applied.

**SIGNGEEER**<sup>™</sup>  
for the professional signmaker

signgeer.com T: 0800 5 999 059