

# PORTASIGN

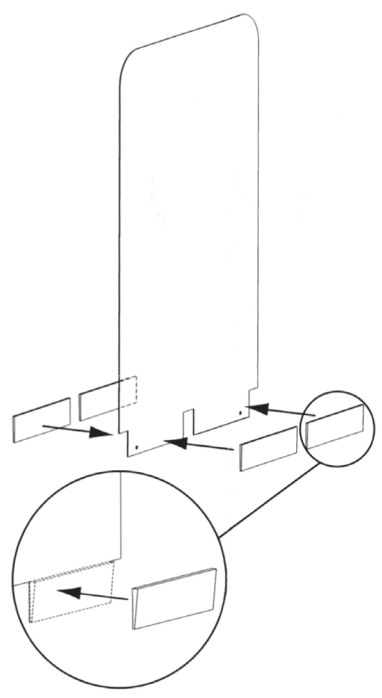
2 YEAR WARRANTY



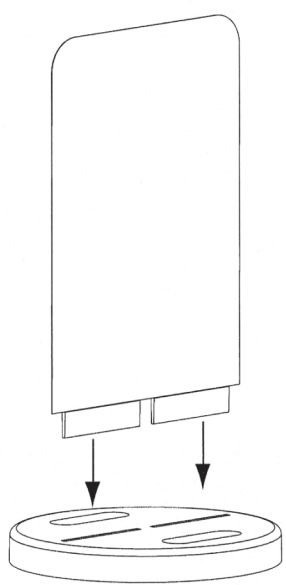
## Features and benefits

- Double-sided graphic area, white printable aluminium sign blank
- Graphic area 740mm x 410mm
- Heavy duty, circular recycled PVC base complete with cut outs for easy movement
- Easy Friction fit assembly

**1** Stick wedges to panel. Ensure wedges are positioned correctly with the thin end of the wedge at the bottom.



**2** Wedge panel into base



## Graphic specifications

Visual graphic area  
740 x 410mm

## System sizes

Boxed size  
450 (L) x 430 (W) x 70 (D)mm  
905 (L) x 435 (W) x 10 (D)mm

Assembled size  
790 (H) x 420 (W) x 420 (D)mm

Boxed weight  
6.8kg

## Component list

- 1 of recycled PVC base
- 1 of aluminium panel
- 4 of plastic wedge

### IMPORTANT NOTICE

- Apply pressure to wedges to ensure a firm bond between panel and wedges.
- Allow adhesive to cure for 24 hours before using this product.

We are continually improving and modifying our product range and reserve the right to vary the specifications without prior notice. All dimensions and weights quoted are approximate and we accept no responsibility for variance. E&OE.

[signgeer.com](http://signgeer.com) T: 0800 5 999 059

